

MIX&MATCH

Design by STUDIO P

TMA.323T.MAX

WALL MOUNTED THERMOSTATIC
SHOWER MIXER WITH 3 INDEPENDENT EXITS

BODY MATERIAL

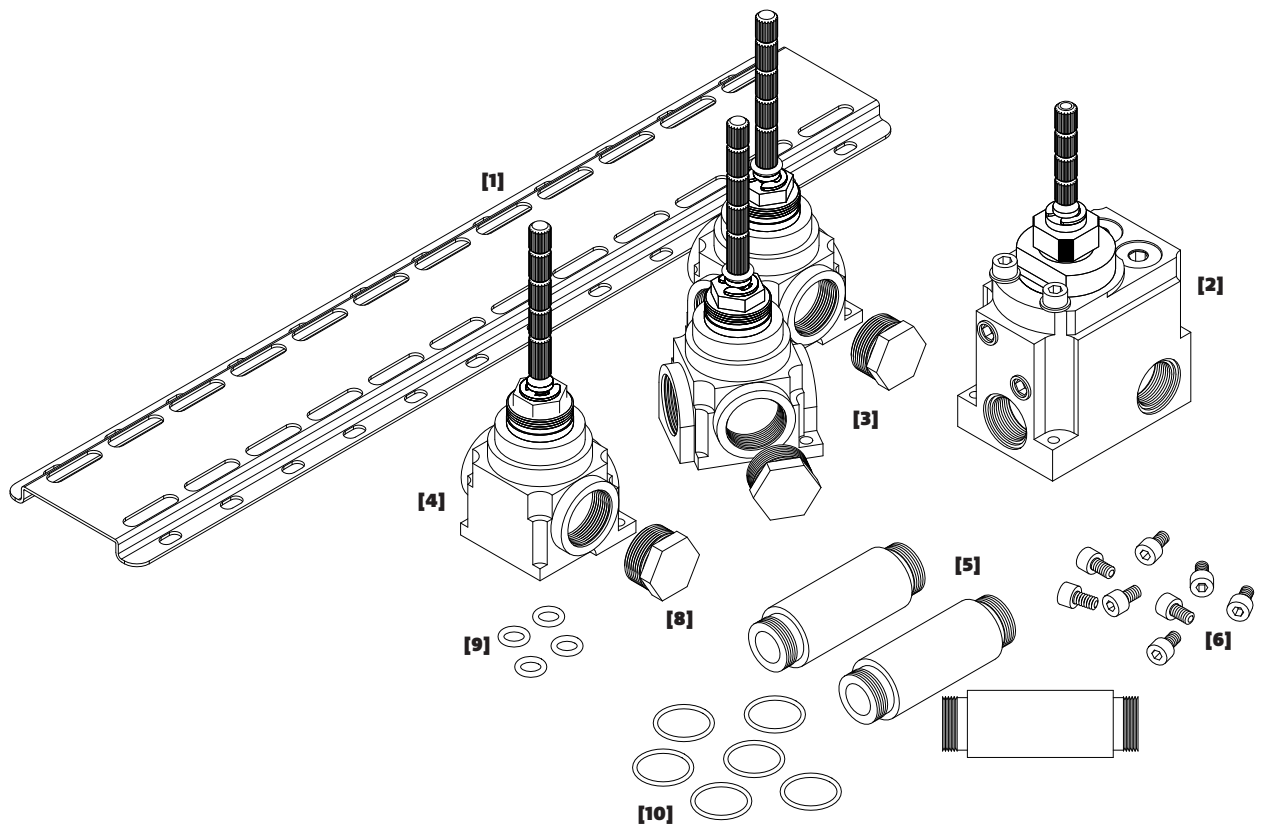
BRASS

COMPATIBILITY

MIX&MATCH

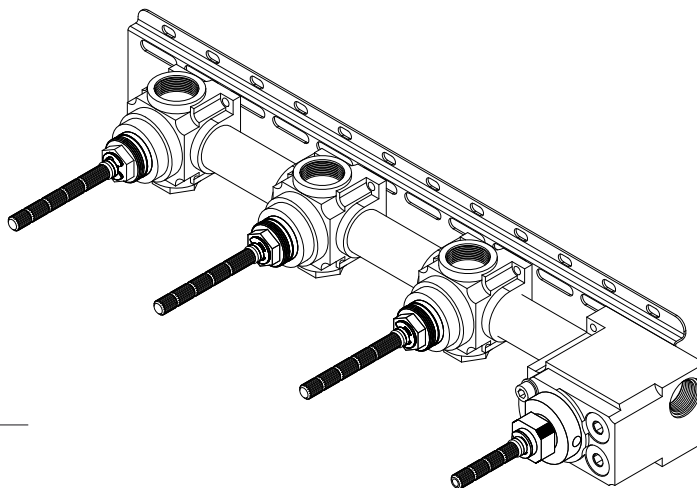
WORKING PRESSURE

0.5 to 5 bar



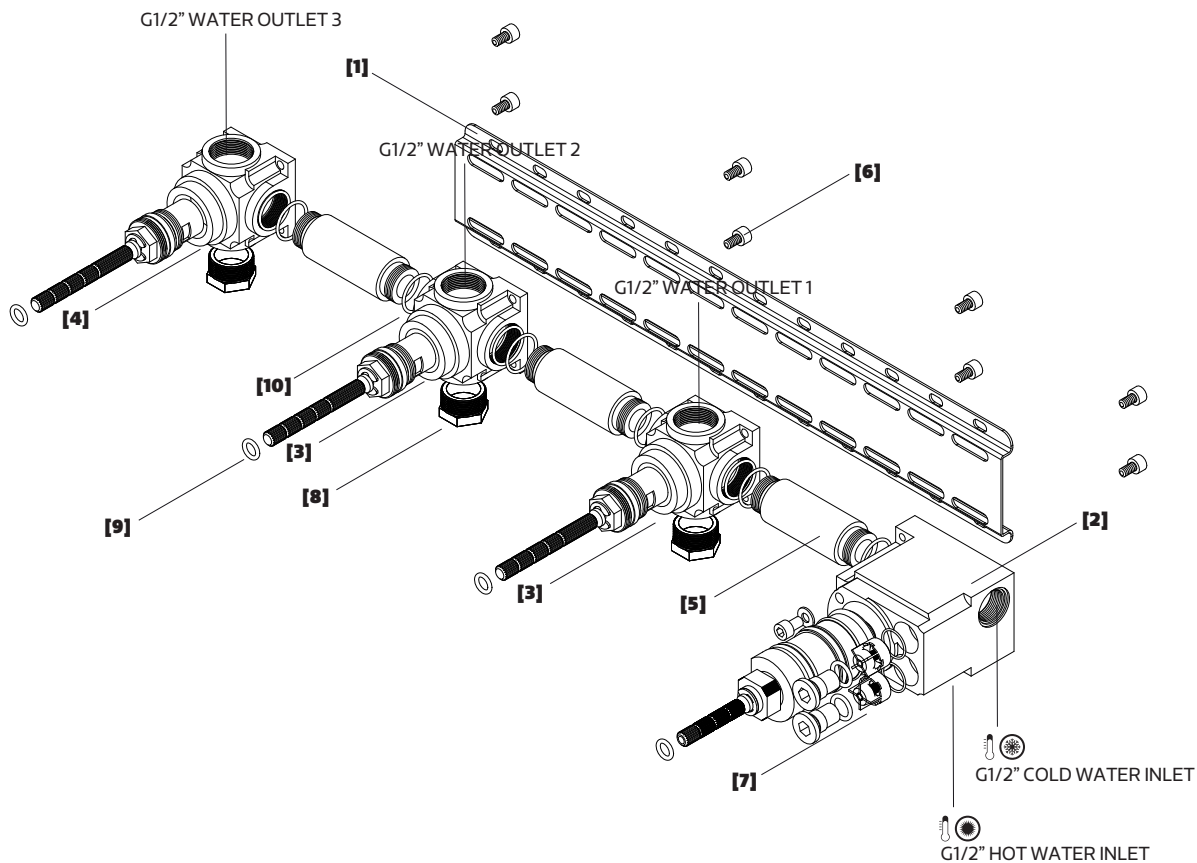
CONTENTS

- [1] FIXING PLATE
- [2] THERMOSTATIC VALVE
- [3] PASSAGE STOP VALVE
- [4] TERMINAL STOP VALVE
- [5] CONNECTION PIPE
- [6] FIXING SCREW
- [7] CHECK VALVE
- [8] HALF INCH CAP
- [9] HEADWORKS O RING
- [10] CONNECTION PIPE O RING



BUILT-IN

[X] MIN. 94MM/MÁX. 113MM



WATER SUPPLY

FLUSH WATER SUPPLY LINES THOROUGHLY BEFORE INSTALLING THE TAP. DO NOT ALLOW DIRT, TEFLON TAPE OR METAL PARTICLES TO ENTER THE TAP. SHUT OFF THE WATER SUPPLY BEFORE INSTALLATION. GRAVITY-FED SYSTEMS MAY REQUIRE A BOOSTER PUMP TO ACHIEVE THE OPTIMAL OPERATING PRESSURE.

BEFORE INSTALLATION

CHECK FOR HIDDEN EXISTING PIPEWORK AND ELECTRICAL CABLES BEFORE DRILLING THE WALL

MAINTENANCE

WE RECOMMEND ONLY WARM SOAPY WATER IN THE CLEANING OF THIS PRODUCT. DO NOT USE LIQUID DETERGENTS CONTAINING ABRASIVE OR ACIDIC ADDITIVES. THE USE OF THIS TYPE OF PRODUCT MAY PERMANENTLY DAMAGE THE FINISH OF THE PRODUCT AND WILL INVALIDATE THE MANUFACTURERS WARRANTY.

